

SIRIO[®]
anfore
handmade in *italy*



2024

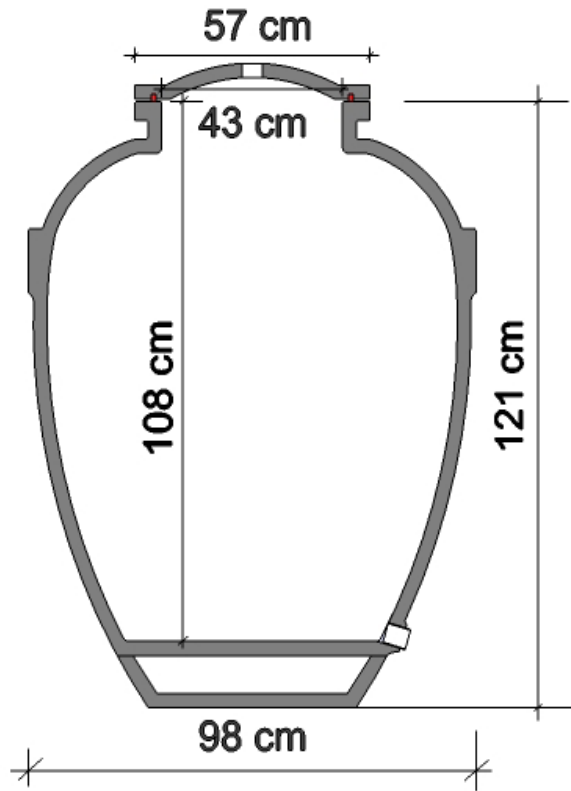


SIRIO
1977

The philosophy of **Sirio Anfore**
comes from the idea to reinterpretate a classic.
Technology for secure results and easy to use.

The amphora of **Sirio**
have a programmable oxigenation
with a range from french oak
to the bottle with natural cork.

THE AMPHORA



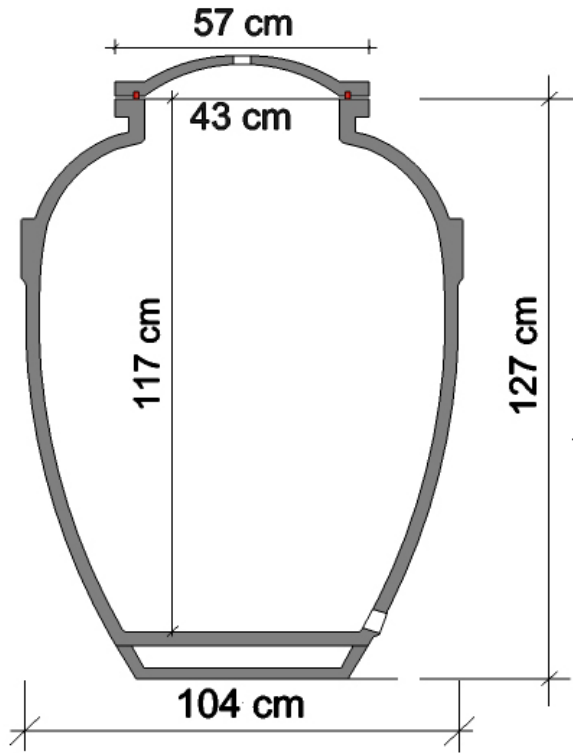
Tall: 136 cm/53,5 inches
Max diameter: 98 cm/38,58 inch
Weight : 200 kg/440 pounds
Ceramic with programmed porosity
Ceramic thickness: 25 mm/1 inch
Inside and outside hand sanded
Ceramic cap with rubber ring
Bubble hole 45 mm/1,77 inch
Inox and bronze closing system
Quick release cap
Total out put Din 40-50-Macon Triclamp.

ANFORA 500



IRIS
2016

500

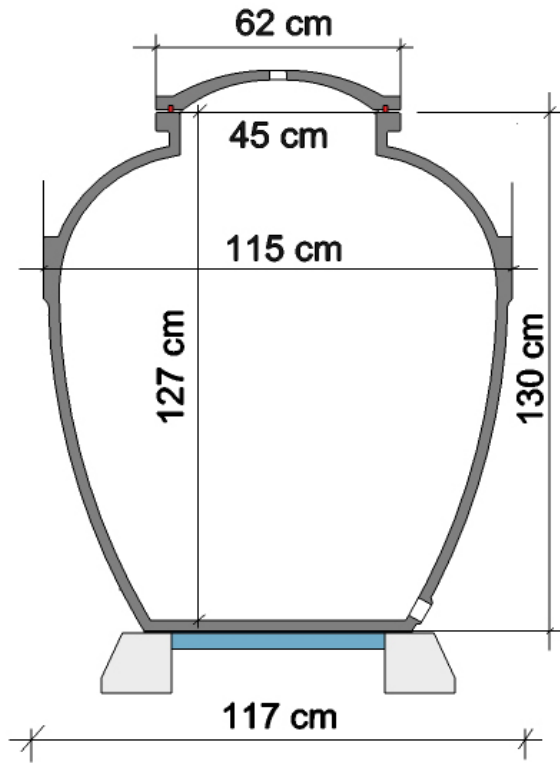


Tall: 137 cm/53,9 inch
Max diameter: 104 cm/41 inch
Weight: 250kg/550 pounds
Ceramic with programmed porosity
Ceramic thickness: 25 mm/1 inch
Inside and outside hand sanded
Ceramic cap with rubber ring
Bubble hole 45 mm/1,77 inch
Inox and bronze closing system
Quick release cap
Total out put Din 40-50-Macon Triclamp.

ANFORA 600



600



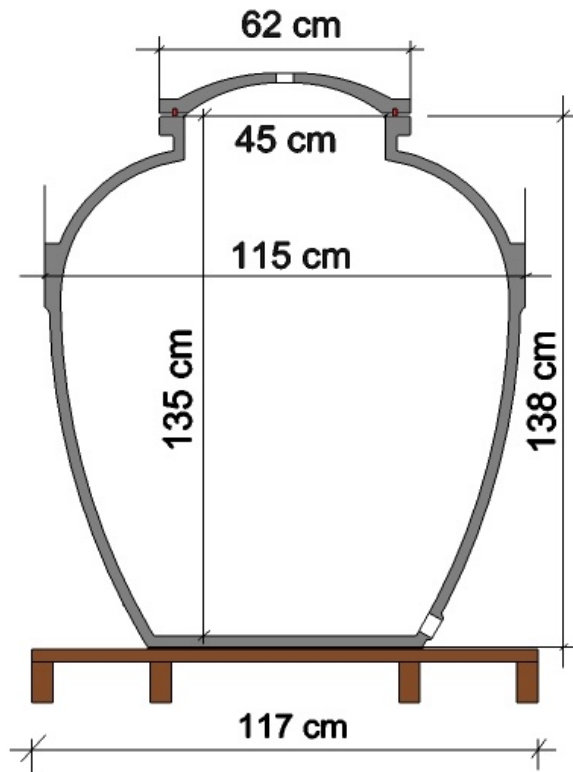
Tall: 140 cm/55,1 inch
Max diameter: 115 cm/45,28 inch
Basament: 117x117 cm/46,1x46,1 inch
Weight: 350kg/770 pounds
Ceramic with programmed porosity
Ceramic thickness: 25 mm/1 inch
Inside and outside hand sanded
Ceramic cap with rubber ring
Bubble hole 45 mm/1,77 inch
Inox and bronze closing system
Quick release cap
Total out put Din 40-50-Macon Triclamp.
Wood/Plastica or Travertine/Inox pallet

ANFORA 800



AMERICAN
POTTERY

800

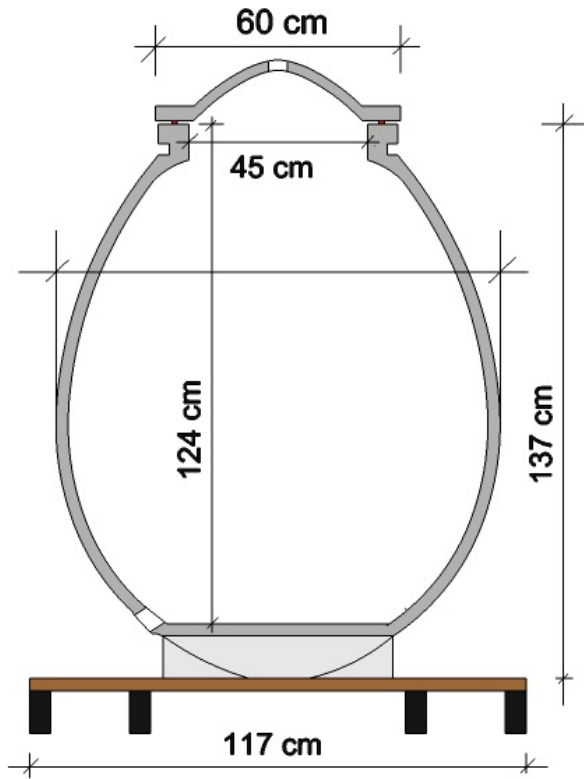


Tall: 148 cm/58,3 inch
Max diameter: 115 cm/45,28 inch
Basament: 117x117 cm/46,1x46,1 inch
Weight: 350kg/770 pounds
Ceramic with programmed porosity
Ceramic thickness: 25 mm/1 inch
Inside and outside hand sanded
Ceramic cap with rubber ring
Bubble hole 45 mm/1,77 inch
Inox and bronze closing system
Quick release cap
Total out put Din 40-50-Macon Triclamp.
Wood/Plastica or Travertine/Inox pallet

ANFORA 900



900



Tall: 150 cm/59 inch
Max diameter: 108 cm/42,5 inch
Basament: 117x117 cm/46,1x46,1 inch
Weight: 350kg/770 pounds
Ceramic with programmed porosity
Ceramic thickness: 25 mm/1 inch
Inside and outside hand sanded
Ceramic cap with rubber ring
Bubble hole 45 mm/1,77 inch
Inox and bronze closing system
Quick release cap
Total out put Din 40-50-Macon Triclamp.
Wood/Plastica or Travertine/Inox pallet

OVO 700



A

700

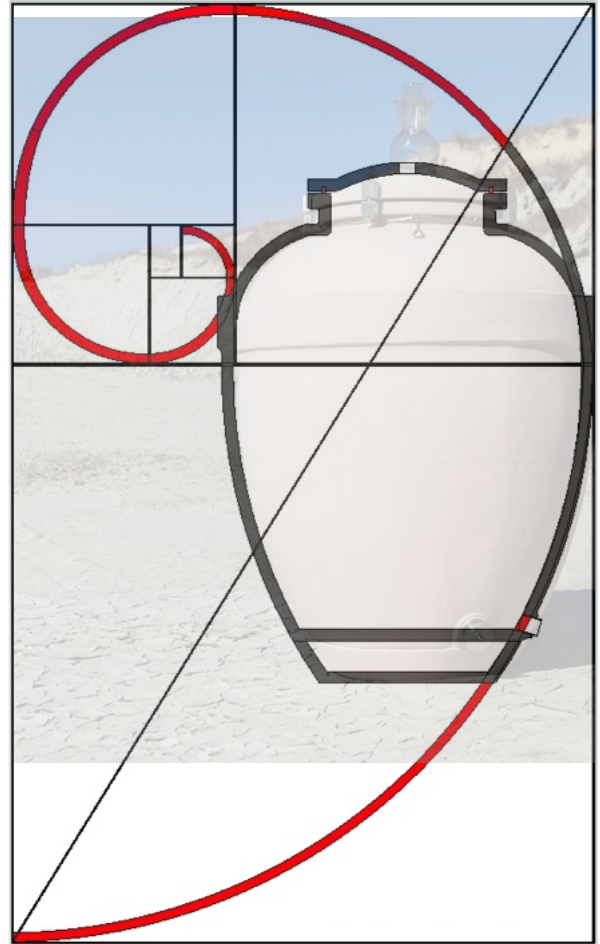


GOLDEN SECTION

The golden section is one of the most ancient mathematical constants existing and it is represented in a specific spiral.

In the nature, art and architecture seems to be the geometry that express aesthetic perfection, used from the ancient times

The golden section is a magic number, and all our amphoras are created following the curve of this spiral.





ACCESSORIES

Glass Bubbler

1,5 l

trasparent glass

1,5 l

coloured glass

amber, green, grey

In Murano glass

handmade



BUBBLER



Power torque screwdriver

TORQUE



VALVE

Valve
Din/Macon/Garolla/Triclamp
Clamp Connection 38 mm



SIRIO EASY-MOVE



Sirio Easy-Move Amphora Mover

Steel Inox frame
complete with clamping strap
and rubber wheels
Movable with transpallet



SIRIO EASY-MOVE



Lifter Ring and lifting belts
including screw gate
carabiners

RING



Instrument to push down
Inox steel e and teflon

FOLLATORE



Instrument for Batonnage

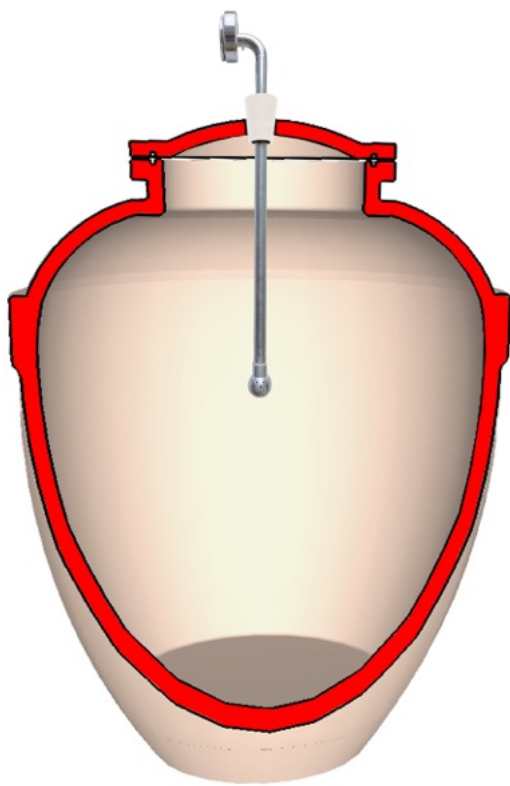
Inox steel and teflon for amphora
usable with insertion from the filling hole
without removing the cover

BATONNAGE



Sterilization with Ozone
Elimination of 99.8 % of bacteria, virus, odors.

STERILIZATION KIT

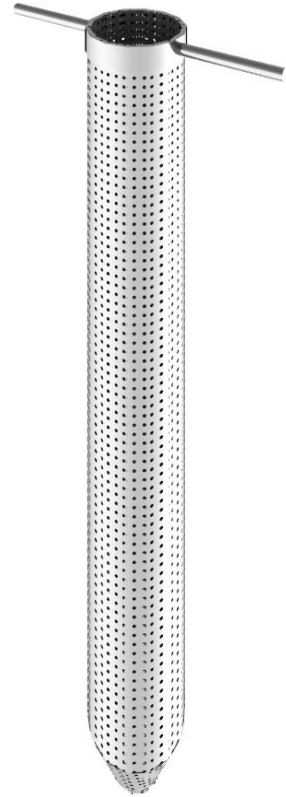


Stainless steel pipe with holed ball and
connection Din/Macon/Garolla/Triclamp

WASHING KIT

The Rocket
Vertical filter for red winemaking
Inox Aisi 304
120x15 cm | 47,2x5,9 inch
sheet metal hole 8 mm | 0,31 inch

SILURO





Wooden base
and recycled plastic
stainless steel screws

For models Anfore Sirio 700L / 800L / 900L

WOODEN BASE



Travertine / stainless steel base

For all Sirio Amphorae models
Forkable with transpallet

TRAVERTINE BASE



Basement in Plastic/Stainless

90X72X15 for the models 500/600

BASEMENT IN PLASTIC/STAINLESS



Base en Plastic/Stainless
117X72X15 for the models 800/900/OVO

BASEMENT IN PLASTIC/STAINLESS

Wood Box

Smoked wood box

500 l	110x110x160 cm
600 l	110x110x160 cm
700 l	121x121x170 cm
800 l	121x121x170 cm
900 l	121x121x170 cm



BOX



AMPHORA S.R.L.
VOC. FORNACE 1 PONTICELLI
06062 CITTA' DELLA PIEVE (PG) ITALY
SEDE OPERATIVA +39 0578 1965207

Michele Bean +39 380 3157050
Fabrizio Ratti +39 320 9190262

info@sirioanfore.com

www.sirioanfore.com